

MPPC15 i7 Marine Panel PC

The Marine Panel PC 15 inch i7 satisfies the needs of both, the latest and future generation of software for vessels and other marine applications. As you would expect, it is tested according to IACS E10 as well as EN 60945 for bridge use, approved by DNV GL. The MPPC15 i7 is available with antireflex glass or with resistive touch screen, suitable for marine applications, with a choice of the latest Operating Systems and with DC or (and) AC power supply. Standard options like different memory and I/O Interfaces, can be easily configured for most applications. Individual options and customer specific features ensure that most demanding requirements can be fulfilled.

SONOVE Services

- ✓ **Customer-specific Front Design**
- ✓ **Different OS (e.g. Windows, Linux, etc.)**
- ✓ **Customer-specific Images**
- ✓ **Customized Systems (HW / SW) incl. DNV GL Type Approvals**
- ✓ **Individual Turn Key Solutions (HMI/SCADA, Control, IEC61131, etc.)**

Technical Data MPPC15 i7

15" TFT Display classical 4:3, resolution 1024 x 768, brightness: 350 cd, LED Backlight contrast 1000:1 antireflex glass / resistive touch IP67 front, IP40 back

**CPU: Intel® Core™ i7, 2 x 1,7-2,8 GHz
RAM 4/8/16 GB
SSD 64/128/256 GB**

**2 Ethernet 1 Gbit/s
4 USB, 2 available at the front
4 RS232 / 485 galv. Isolated**

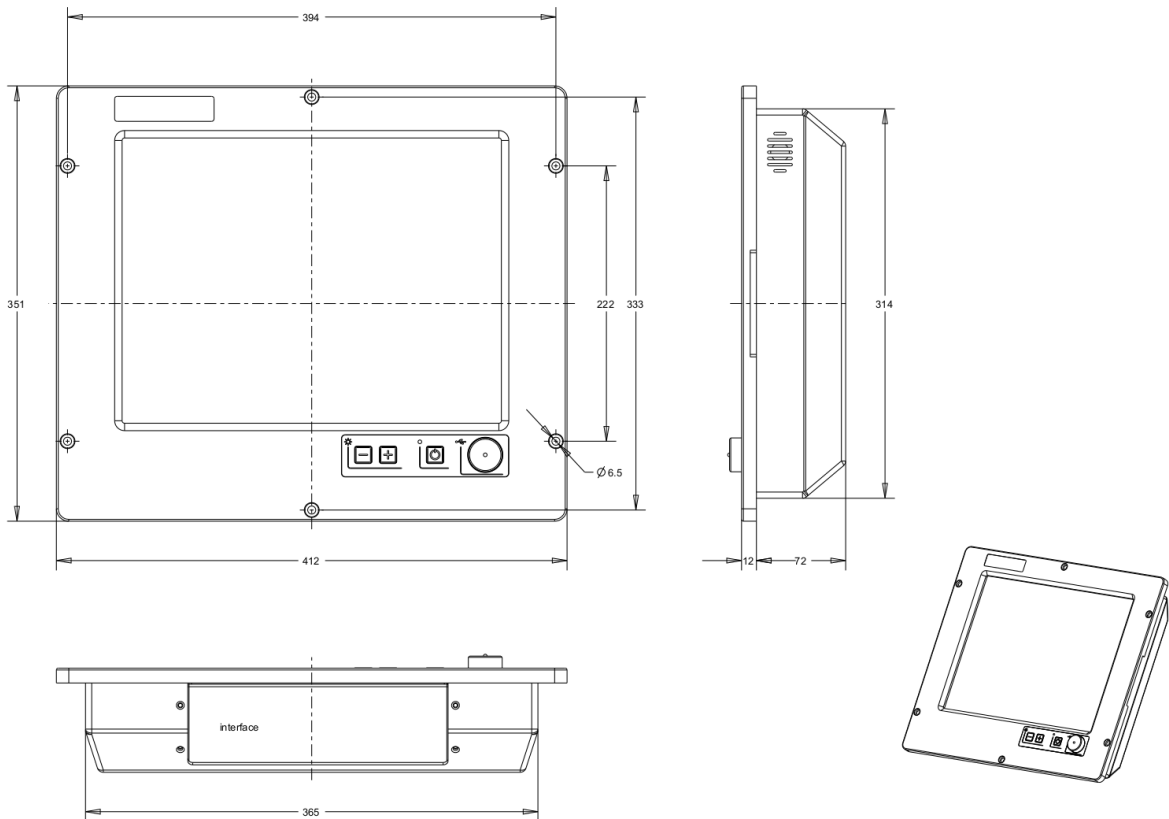
**Power supply:
24 VDC / 230 VAC**

Temp. -15 to +55°C

**Type Approvals:
DNV GL**

Tested acc. to EN 60945





Order information

Marine Panel PC 15 i7

MPPC15 i7 Glass DC	440.xx2.0000	Marine Panel PC, Intel® Core™ i7, 2 x 1,7- 2,8 GHz, 15" TFT, antireflex glass, Power supply 24VDC
MPPC15 i7 RT DC	445.xx2.0000	Marine Panel PC, Intel® Core™ i7, 2 x 1,7- 2,8 GHz, 15" TFT, resistive touch, Power supply 24VDC
MPPC15 i7 Glass AC	440.xx1.0000	Marine Panel PC, Intel® Core™ i7, 2 x 1,7- 2,8 GHz, 15" TFT, antireflex glass, Power supply 230VAC
MPPC15 i7 RT AC	445.xx1.0000	Marine Panel PC, Intel® Core™ i7, 2 x 1,7- 2,8 GHz, 15" TFT, resistive touch, Power supply 230VAC

Configuration

Flash Memory

SSD 64 GB	Solid State Disc, 64 GB
SSD 128 GB	Solid State Disc, 128 GB
SSD 256 GB	Solid State Disc, 256 GB

Operating System

Microsoft Windows®	Windows® 7 Professional for Embedded Systems Windows® 10 IoT Enterprise Windows® Embedded Standard 2009 (WES)
More ...	Request e.g. other Microsoft, Linux, Customized, etc.

Interface / Extension / Customized

More ...	Call us, we'll design your solution
----------	-------------------------------------

Sonove GmbH
Hindelanger Str. 33
87527 Sonthofen
Deutschland
Tel: +49 8321 67466 200
Fax +49 8321 67466 199

marine@sonove.com
www.sonove.com